

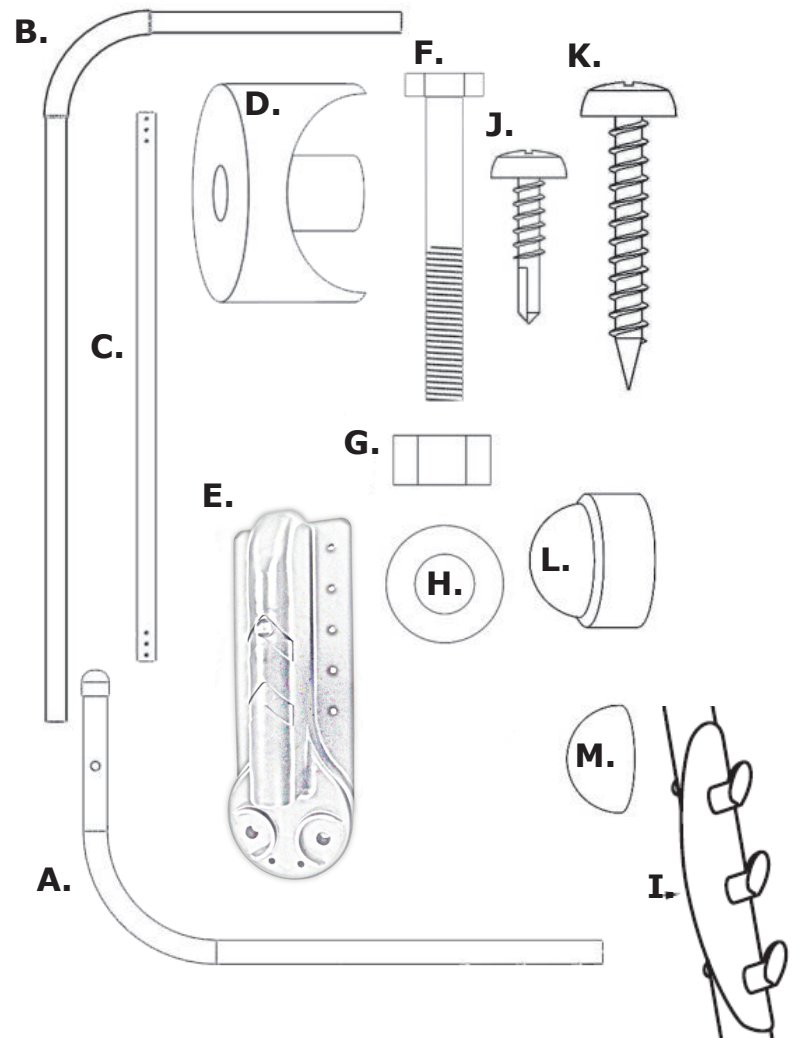
Pivot Top Mount Hot Tub Cover Lift

INSTRUCTIONS



PARTS LIST

DESCRIPTION	QTY
A. Pivot Arm	2
B. Cover Support Arm	2
C. Center Coupler	1
D. Bushing	4
E. Mounting Bracket	2
F. 3/8" x 3" Hex Cap Bolt	2
G. 3/8" Lock Nut	2
H. 3/8" Flat Washer	4
I. Towel Holder	1
J. #10 x 5/8" Self Tapping Screws	14
K. #10 x 1" Mounting Screws	20
L. Large Black Dome Caps	2
M. Small Black Dome Caps	38
7/16" Plug (Pre-Installed)	2
#10 x 1 3/4" Mounting Screw	4
Foam Grip (Pre-Installed)	2
Pivot Arm Cap (Pre-Installed)	2



Tools Needed: Power/Cordless Drill with phillips bit and a tape measure.

Installation Instructions

1 Position the spa cover (*in the closed position*) on the spa, making sure that all four corners are properly positioned and square on the spa. See *Figure 1*.

2 Before attaching the right & left **Mounting Brackets (G)** to the appropriate side of the spa, place the brackets where you will want them positioned on the spa and mark the holes with a marker. (*SEE PRO TIP*)

CAUTION: To prevent splitting a wood cabinet, pre-drill holes with a 1/16" drill bit

PRO TIP

If you want 75% of the spa cover standing above spa surface in the open position, place the **Mounting Brackets (G)** 8" (20cm) down from the top of the spa shell and approximately 9" (23cm) clearance behind the spa will be needed.

If you want 50% of the spa cover standing above spa surface in the open position, place the **Mounting Brackets** 12" (30cm) down from the top of the spa shell, approximately 15" (38cm) clearance behind the spa will be needed.

3 Attach the **Mounting Brackets (E)** to the left and right sides of the spa with the **#10 x 1" Mounting Screws**. See *Figure 2*.

4 Connect the **Pivot Arm (A)** and two **Bushings (D)** to the **Mounting Brackets (E)**, using one **3/8" x 3" Hex Cap Bolt (F)**, two **3/8" Flat Washers (H)**, and one **3/8" Nylon Locknut (G)**, as shown in *Figure 3*.

Note: If necessary, slide a 3/8" Wrench behind the **Mounting Bracket (E)** to tighten the **3/8" Nylon Locknut (G)**.

5 Repeat Step 4 for the other side of the spa. After installing the **Pivot Arms (A)**, tilt them into the upright position. See *Figure 4*.

Figure 1

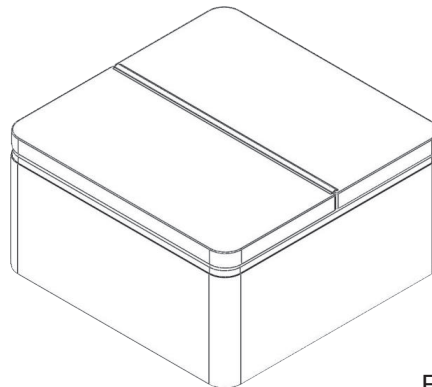


Figure 2

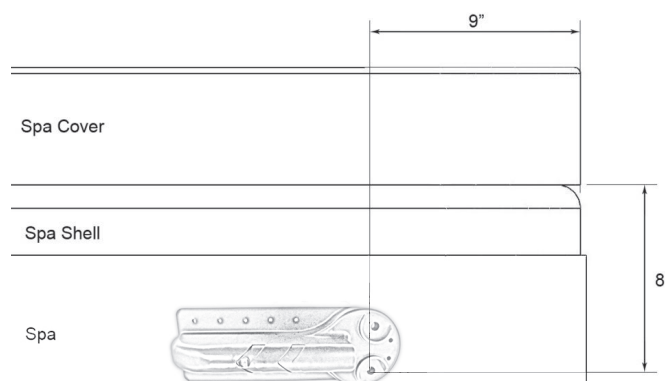


Figure 3

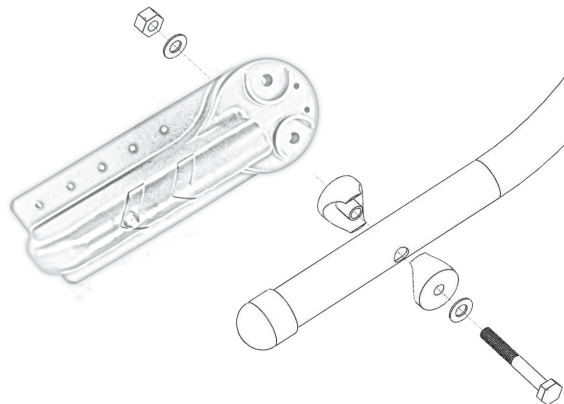
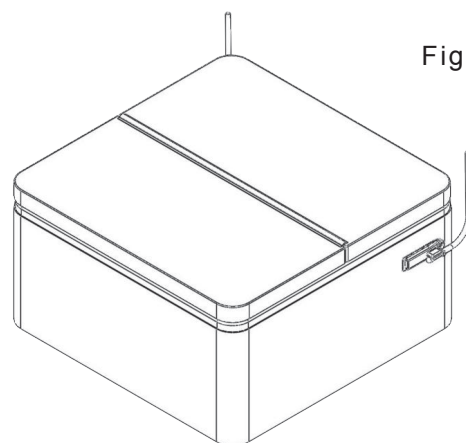


Figure 4



6 Insert the long arms of the **Support Arms (B)** into the ends of the **Center Coupler (C)** as shown in *Figure 5*.

Note: For narrow covers, flip the **Support Arms (B)** and insert the short side of the **Support Arm (B)** into the **Center Coupler (C)**.

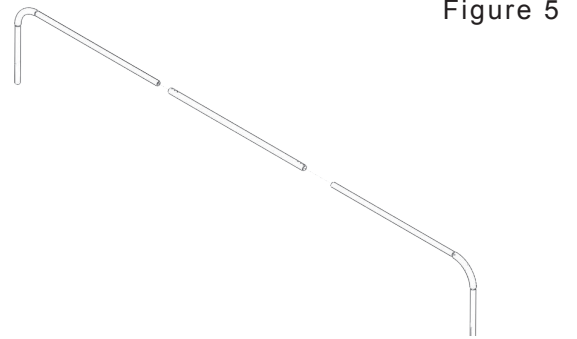


Figure 5

7 Insert the short arms of the **Support Arms (B)** into the **Pivot Arms (A)**. See *Figure 6*.

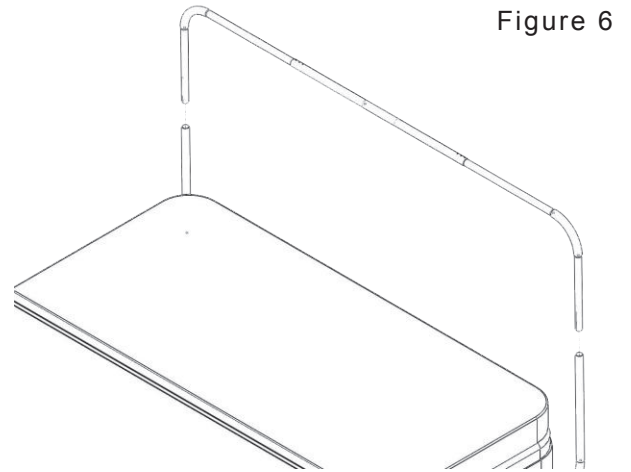


Figure 6

8 Lay the Lifter on the spa cover, see *Figure 7A*. Adjust the **Center Coupler Assembly** and the **Support Arms (B)** so that the **Center Coupler Assembly** is lying parallel to the spa cover hinge approximately 1/2" away. See *Figure 7B*.

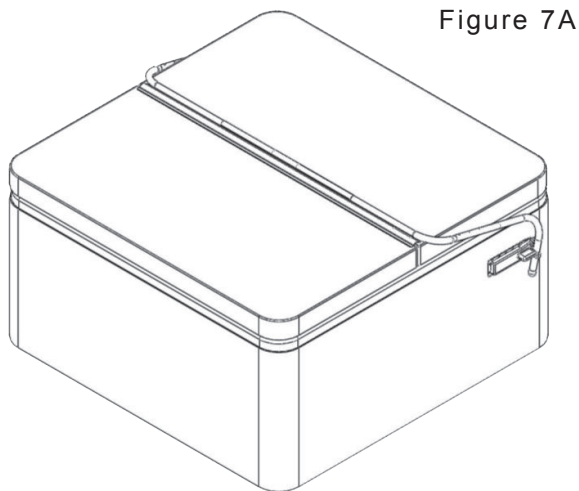


Figure 7A

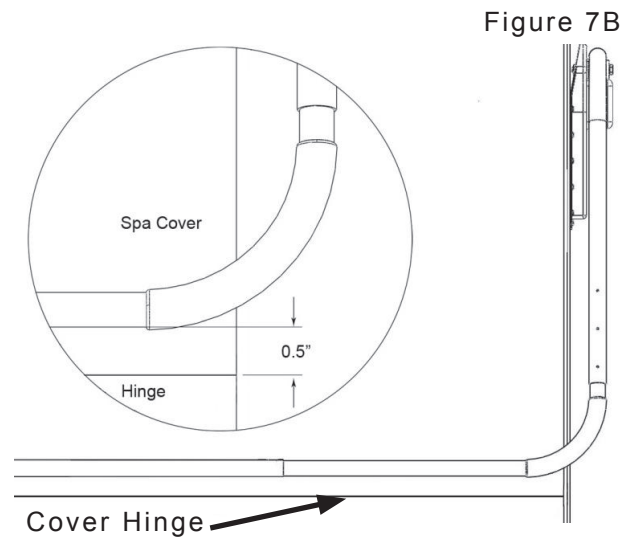


Figure 7B

9 Using the **#10 x 5/8" Self Tapping Screws (J)** to fasten the **Support Arms (B)** to the **Pivot Arms (A)** and the **Center Coupler (C)**. See *Figure 8*.

Note: Be sure to rotate the Center Couplers so that the inserted screws are horizontal, with the heads facing the back of the spa, where the cover will be stowed.

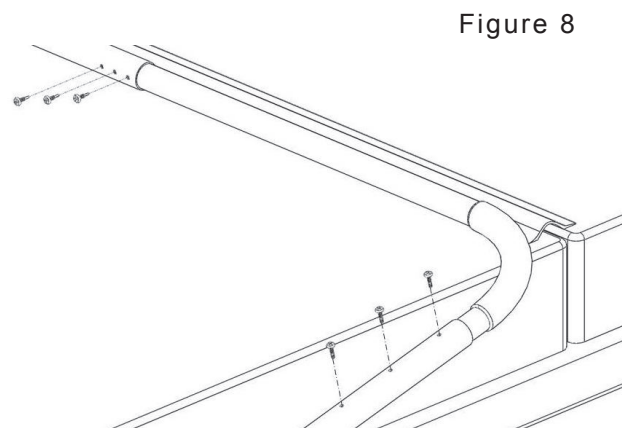


Figure 8

10 Press the decorative **Large Black Dome Caps (L)** over the heads of the **3/8" x 3" Hex Cap Bolts**. Then press the decorative **Small Black Dome Caps (M)** over the heads of all exposed **#10 screws (J and K)**. You may need a small amount of glue/epoxy depending on the climate. See *Figure 9*.

11 Attach the provided **3-Hook Towel Holder (I)** on the preferred side of your cover lift by simply snapping it into place and inserting the middle **Self-Tapping Screw (L)**. See *Figure 10*.

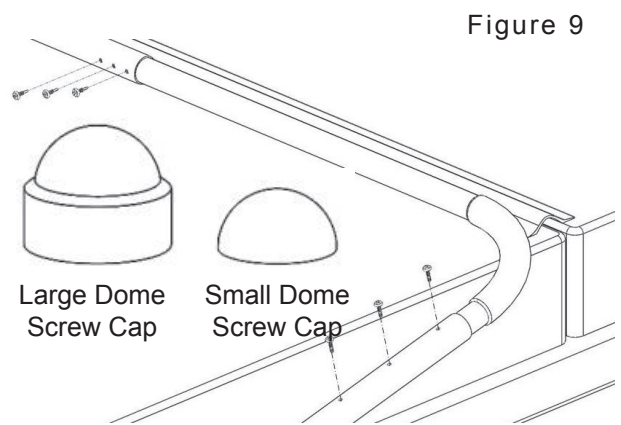


Figure 9

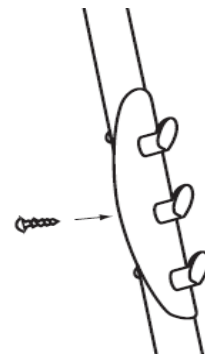


Figure 10

How to Use

How to OPEN your spa cover

1. Fold spa cover onto itself.
2. Lift the Lifter and spa cover to upright position by lifting at the **Foam Grip** on the **Support Arm (B)**, while supporting the middle of the cover with the other hand. The **Pivot Arm** will stop when it contacts the **Mounting Bracket (E)**.

How to CLOSE your spa cover

1. With the spa cover in the upright position, hold the **Foam Grip** on the **Support Arm (B)**, and slowly guide the cover and Lifter onto the spa shell. **NEVER** allow the spa cover to fall onto the spa shell unassisted, as it can cause damage to your Lifter, spa, and/or spa cover!
2. Unfold the spa cover off itself and engage the spa cover locks if available.

CAUTION: DO NOT USE THE COVER LIFT IN HIGH WIND CONDITIONS. DOING SO COULD CAUSE THE COVER TO FALL. DAMAGE TO THE SPA/COVER/COVER LIFT, OR INJURY TO THE OCCUPANTS MAY OCCUR. NEVER LEAVE AN UNCOVERED HOT TUB OR SPA UNATTENDED.

