

# Skirt Mount Spa Handrail

## INSTRUCTIONS

### PARTS LIST

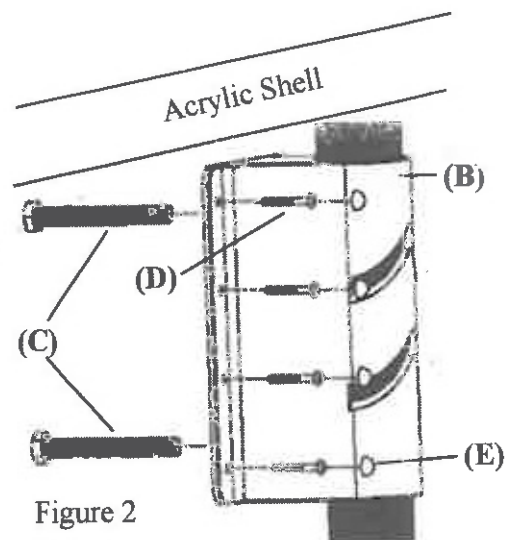
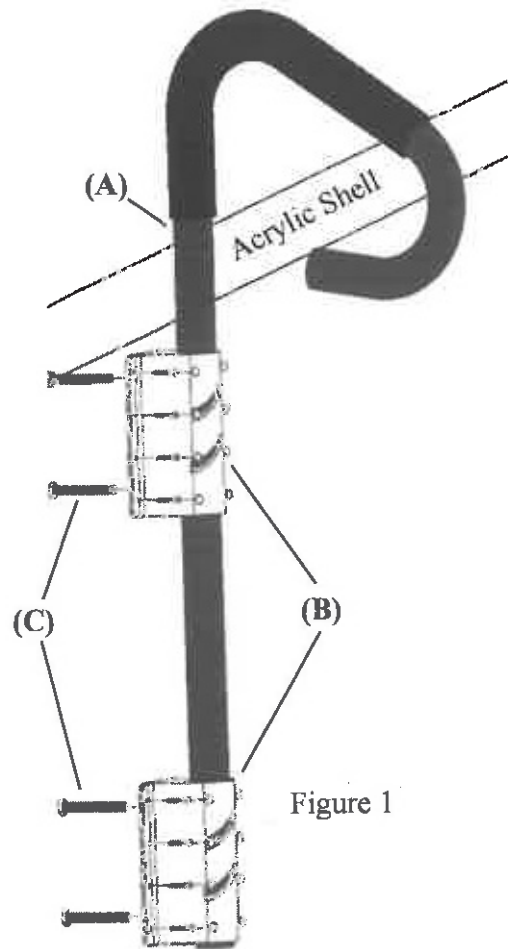
DESCRIPTION	QTY
A. Hand Rail Arm	1
B. Bracket	36
C. Bolts	4
D. Bracket Screws	16
E. Screw End Caps	16

**Additional Supplies:** Power/Cordless Drill with 1/8" bit.

**1** Determine the desired rail locations on your spa cabinet, i.e. which side of the steps you require it.

**2** Slide the two brackets (B) on to the Handrail Arm (A) and roughly position in place. (see Fig. 1)

**3** Using the bolts lightly tighten the Bracket to the Handrail from the back of the bracket, through the holes provided. (see Fig. 2)



**4** Hold up the rail to the cabinet and check the position of the brackets. The top bracket needs to be positioned slightly under the acrylic shell and the bottom bracket needs to be near the bottom of the handrail.

**5** Once you have adjusted the position of the brackets on the handrail, make sure you tighten the bolts (C) so the handrail is secure. (see Fig. 3)

**6** Mount the two brackets (B) (making sure it is vertical and straight) on the cabinet using the screws provided.

## PRO TIP

Before mounting, mark screw placement on cabinet and pre-drill screw holes with 1/8" drill bit to prevent splitting of the cabinet.

**7** Snap on the black screw end caps (E) over the screws used to mount the brackets.

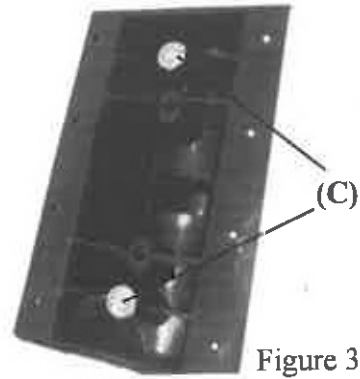


Figure 3

